

**TFC24BA10 EMI INPUT FILTER**

0V~50V Input Voltage 10A Output Current Metal Case

**Contents**

Contents ..... 1  
 Outline Diagram ..... 1  
 Specification ..... 2  
 Design Considerations ..... 2  
 Contact Information ..... 2

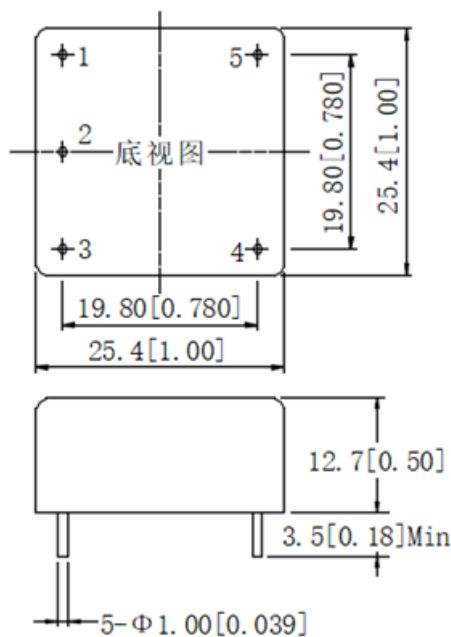


**Features**

- ◆ Standard size 25.4mm×25.4mm×12.7mm
- ◆ Up to 10A output current
- ◆ Up to 50V permanent input voltage.
- ◆ Attenuation to 50 DB at 300 kHz, Common Mode, typical
- ◆ Attenuation to 60 DB at 300 kHz, Differential Mode, typical
- ◆ Typical Resistance 15mΩ
- ◆ 1000Vdc Isolation Voltage
- ◆ Operation Case Temperature -40 ℃~+100 ℃
- ◆ Warranty 5 years



**Outline Diagram**



Pin	Symbol	Function
1	Vin+	Positive Input
2	GND	Case (FG)
3	Vin-	Negative Input
4	Vo-	Negative Output
5	Vo+	Positive Output

Notes:

Case material : Aluminum shell black plastic cover

Pin : Copper.

All dimensions in mm(inches)

Tolerances: X.X±0.5mm(X.XX±0.02)

X.XX±0.25mm(X.XXX±0.010)

**TFC24BA10 EMI INPUT FILTER**

**0V~50V Input Voltage 10A Output Current Metal Case**

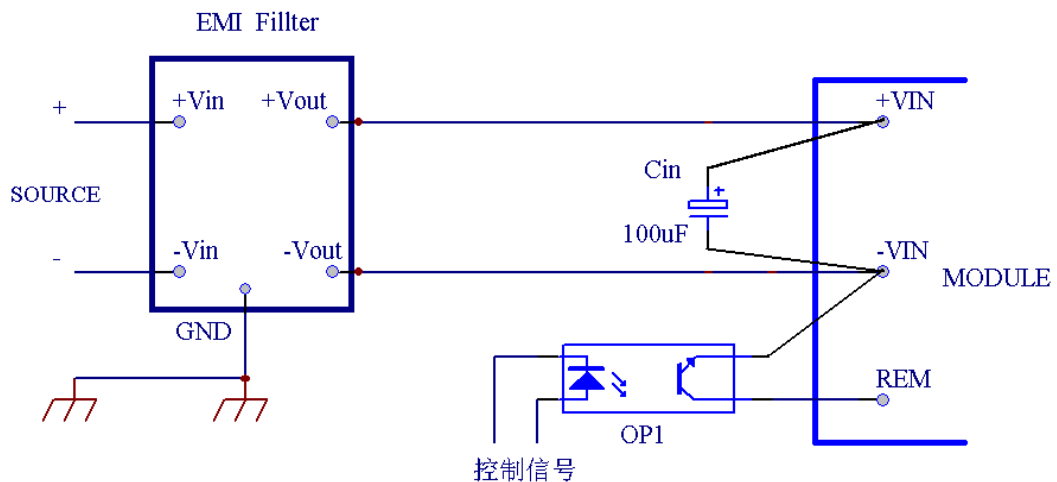
**Specification**

Unless otherwise specified, all values are given at: 25°C, one standard atmosphere pressure, pure resistive load and basic connection.

PARAMETER	Symbol	Min	Typ.	Max	Unit	Conditions
Input Voltage	$V_{in}$	0	—	50	V	—
Output Current	$I_{in, max}$	—	—	10	A	Operation Case Temperature 105°C
Attenuation	$I.L_{cm}$	—	60	—	dB	300kHz,Differential Mode, typical
Attenuation	$I.L_{cm}$	—	50	—	dB	300kHz,Common Mode, typical
Typical Resistance	$R_{dc}$	—	7.5	—	mΩ	$V_{in}$ to $V_o$
Isolation Voltage	$V_{iso}$	—	1000	—	V	GND to Case, 5mA
Operation Case Temperature	$T_c$	-45	—	100	°C	—
Storage Temperature	$T_{st}$	-55	—	125	°C	—
Relative Humidity	—	—	—	90	%RH	Frost free

**Design Considerations**

The filter can be used in DC/DC converters. In order to exceed the EMI requirements, it is recommended to use the filter in series up front as shown in the following figure. For better EMI performance and stability purpose the product recommends to use a  $C_{in}$  capacitor. Two filters can be connected in series for a higher request.



**Contact Information**

Anhui Hesion Trading Co.,Ltd.  
 & Beijing Zhengxinyuan Technology Co.Ltd.

TEL:+86-551-65369069,65369067

Email: [alecz@ahhesion.com](mailto:alecz@ahhesion.com)

Backup:[alecz@126.com](mailto:alecz@126.com)

[www.ahhesionpower.com](http://www.ahhesionpower.com)