

# TFL200A20 EMI Filter

0~200Vin/20A Filter Module, Metal Case

## Contents

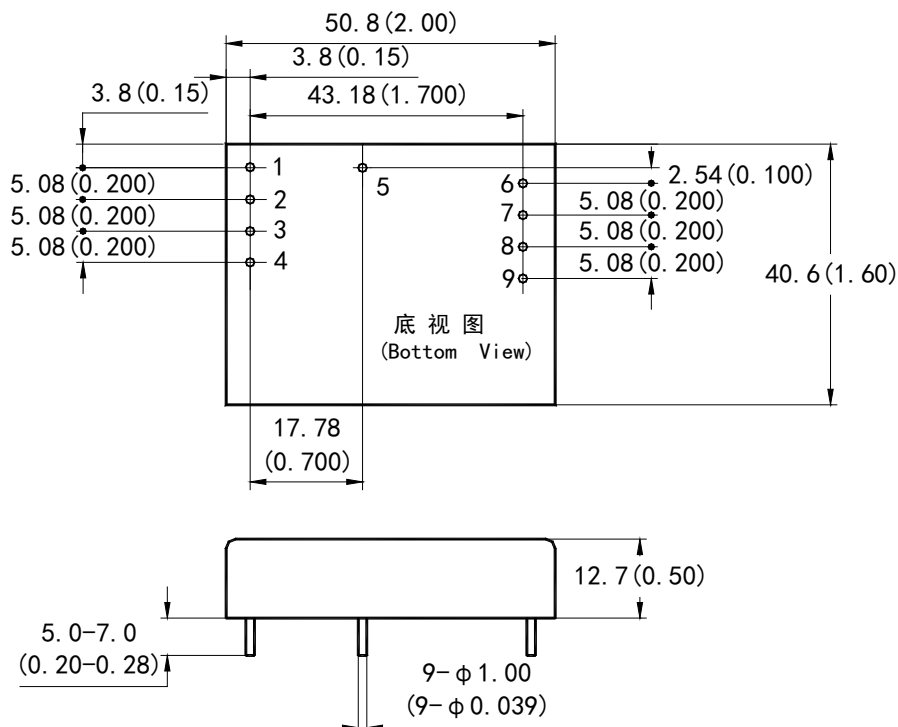
Contents.....	1
Outline Diagram.....	1
Specification.....	2
Design Considerations .....	3
Contact Information .....	4



## Features

- ◆ **Size: 50.8mm×40.6mm×12.7mm**
- ◆ **up to 20A output current**
- ◆ **up to 200V permanent input voltage.**
- ◆ **Attenuation to 40 DB at 500 kHz, Differential Mode, typical**
- ◆ **Attenuation to 50 DB at 500 kHz, Common Mode, typical**
- ◆ **Typical Resistance 10mΩ**
- ◆ **1500Vdc Isolation Voltage**
- ◆ **Operation Case Temperature -40 °C~+100 °C**
- ◆ **Suitable for use with Half Brick and Quarter Brick Series**

## Outline Diagram



## 0~200Vin/20A Filter Module, Metal Case

Pin	Symbol	Function
1、2	Vin+	Positive Input
5	GND	Case (FG)
3、4	Vin-	Negative Inpu
8、9	Vo-	Negative Output
6、7	Vo+	Positive Output

Notes:

Case material : Aluminum shell plastic cover;black;

Pin : Copper.

Notes: all dimensions in mm(inches)

Tolerances: X.X±0.5mm(X.XX±0.02)

X.XX±0.25mm(X.XXX±0.010)

### Specification

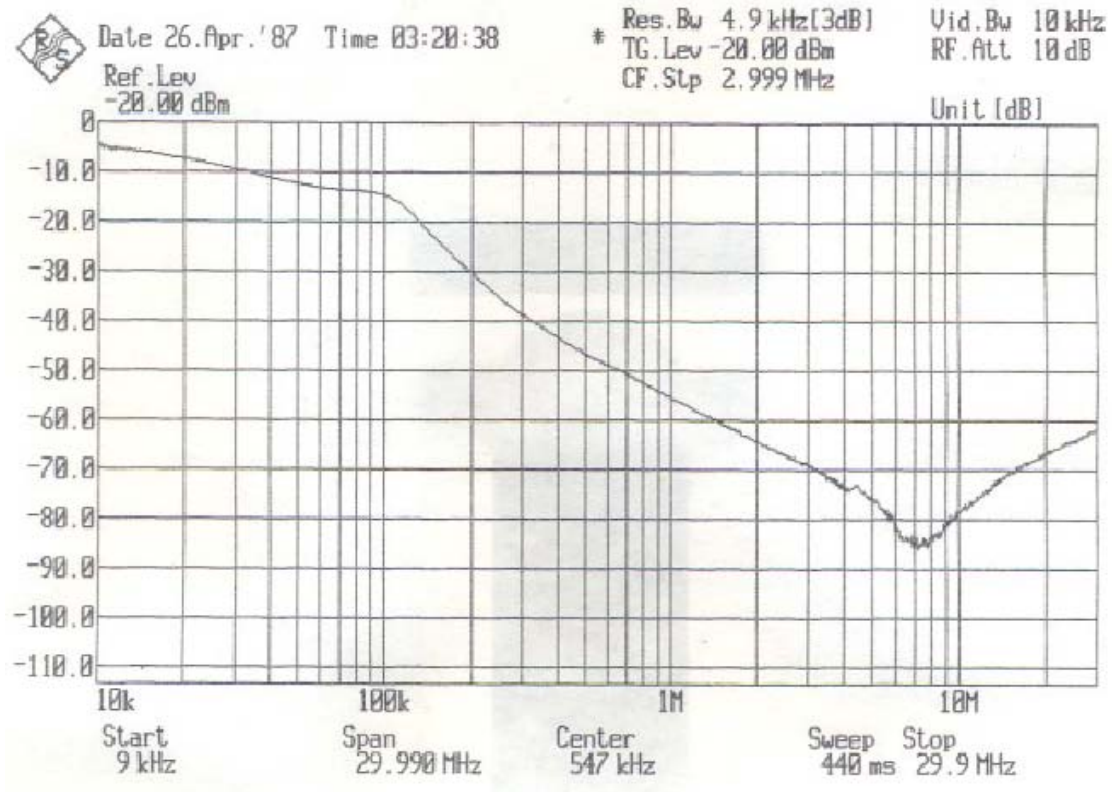
Unless otherwise specified, all values are given at: 25°C, one standard atmosphere pressure, pure resistive load and basic connection.

PARAMETER	Symbol	Min	Typ	Max	Unit	Conditions
Input Voltage	V <sub>in</sub>	0	—	200	V	—
Output Current	I <sub>in, max</sub>	—	—	20	A	Operation Case Temperature 105°C
Attenuation	I.L <sub>cm</sub>	—	40	—	dB	500kHz,Differential Mode, typical
Attenuation	I.L <sub>cm</sub>	—	50	—	dB	500kHz, Common Mode, typical
Typical Resistance	R <sub>dc</sub>	—	10	—	mΩ	Vin to Vo
Isolation Voltage	Viso	—	1500	—	V	GND to Case, 5mA
Operation Case Temperature	T <sub>c</sub>	-45	—	100	°C	—
Storage Temperature	T <sub>st</sub>	-55	—	125	°C	—
Relative Humidity	—	—	—	90	%RH	Frost free

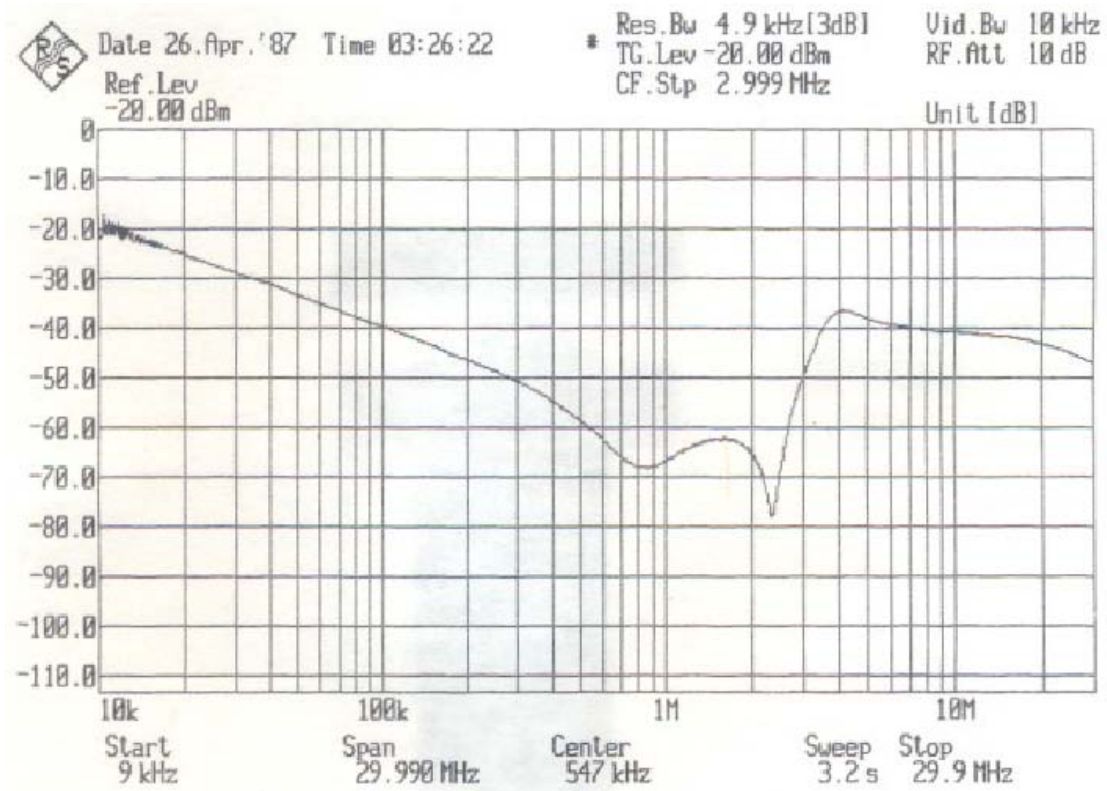
# TFL200A20 EMI Filter

0~200Vin/20A Filter Module, Metal Case

Attenuation (Differential Mode, 50Ω)



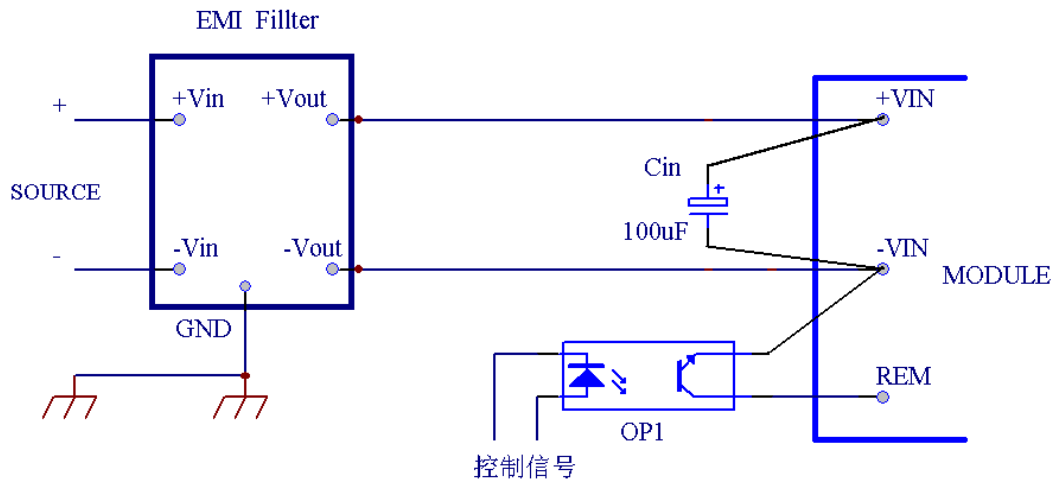
Attenuation (Common Mode, 50Ω)



## 0~200Vin/20A Filter Module, Metal Case

### Design Considerations

The filter can be used in DC/DC converters. In order to exceed the EMI requirements, it is recommended to use the filter in series up front as shown in the following figure. For better EMI performance and stability purpose the product recommends to use a capacitor  $C_{in}$ . Two filters can be connected in series for a higher request.



### Contact Information

Anhui Hesion Trading Co.,Ltd.

& Beijing WiEN Electronic Technology Co.,Ltd.

TEL:+86-551-65369069,65369067

Email: [alecz@ahhesion.com](mailto:alecz@ahhesion.com)

Backup: [alecz@126.com](mailto:alecz@126.com)

[www.ahhesionpower.com](http://www.ahhesionpower.com)