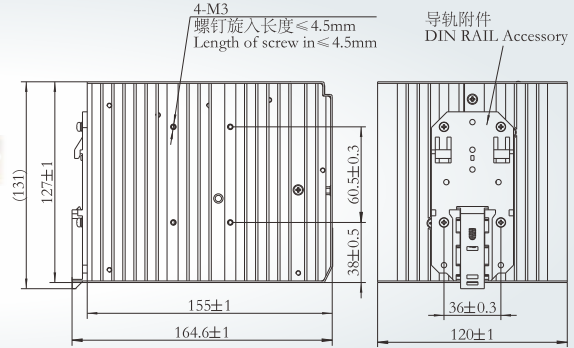


# EDF系列 EDF Series



## 960W单路输出 960W Single Output

Size (H × W × D):  
127mm × 120mm × 155mm  
(不含导轨附件尺寸)



CE CB

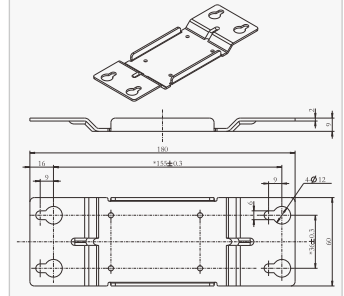
### 产品特性

- 全范围AC输入；DC输入
- LED通电指示灯
- 自然风冷
- 效率93.5%以上，低损耗
- 9+1并联冗余功能（可选）
- 150%的峰值带载能力
- 内置主动式PFC功能，PF>0.9
- 内置DC OK继电器连接
- 符合环保要求 RoHS6

### Product features

- Universal AC input / full range; DC input
- Led power OK
- Air cooling
- 93.5% efficiency, low loss
- 9+1 parallel redundancy (optional)
- 150% peak load capacity
- Built-in active PFC, PF>0.9
- Built-in DC OK relay contact
- Comply with RoHS6

支持背板安装  
Backplane installation available



### 技术特性

输入电压	85~264Vac, 90~370Vdc
输入频率	47~63Hz
冲击电流	30A@230Vac 满载冷态
保持时间	>20ms@230Vac 满载
过载保护	160%~180% 自动恢复
过压保护	120%~170%
运行温度	-20℃~70℃ (参考降额曲线)
安全标准	EN62368-1
EMC标准	EN55032 Class B
M T B F	200kHrs at 25℃
绝缘标准	I/P-O/P: 3kVac, 1min I/P-FG: 1.5kVac, 1min O/P-FG: 0.7kVdc, 1min
重量	2.74kg/pcs

### Specifications

Input voltage	85~264Vac, 90~370Vdc
Input frequency	47~63Hz
Inrush current	30A@230Vac full load cold start
Hold up time	>20ms@230Vac full load
Overload protection	160%~180% auto-recovery
Over voltage protection	120%~170%
Operating temperature	-20℃~70℃ (refer to output derating curve)
Safety standard	EN62368-1
EMC standard	EN55032 Class B
MTBF	200kHrs at 25℃
Withstand voltage	I/P-O/P: 3kVac, 1min I/P-FG: 1.5kVac, 1min O/P-FG: 0.7kVdc, 1min
Weight	2.74kg/pcs

P/N 产品型号	Output 输出	R & N 纹波 & 噪声	Effi. 效率	Load Regulation 负载调整率	DC Adjustment Range DC可调范围
EDF-960-24	24V, 40A	150mV	93.5%	±2%	23V~28.5V
EDF-960-48	48V, 20A	180mV	93.5%	±2%	46V~56V