

DC/DC ZDQ400-28S12C

HESION | 永信

Input 16V-40V, Output 12V/33.3A, Quarter Brick

Features

- ◆ Quarter Brick (60.6mm×39.0mm×12.7mm)
- ◆ Input Under Voltage Protection (13.0 to 16.0Vdc Turn off)
- ◆ Positive Logic Control (3.5V to 15V or floating Turn on)
- ◆ Output Voltage Adjust Range: ±10% of the rated output voltage
- ◆ Output Over Voltage Protection, Output Over Current Protection
- ◆ Output Short-circuit Protection, automatic recovery
- ◆ High Efficiency up to 93% (28V, full load)
- ◆ 2250Vdc Isolation Voltage
- ◆ Operation Case Temperature -40 °C to +105 °C
- ◆ 110 °C Typ. Over Temperature Protection
- ◆ Applications: telecommunication applications, electronic data Processing, distributed power architecture and industry systems, etc.

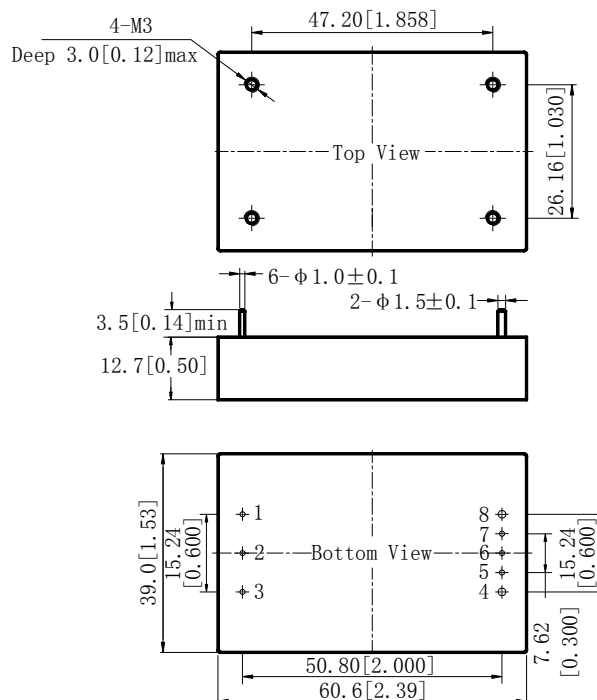


Ordering Information

See Contents for individual product ordering numbers.

Suffix	Description	Ordering No.
C	Positive Logic Control	ZDQ400-28S12C
NC	Negative Logic Control	ZDQ400-28S12NC

Outline Diagram



Pin	Symbol	Function
1	-Vin	Negative Input
2	CNT	Remote Control Pin
3	+Vin	Positive Input
4	+Vo	Positive output
5	+S	Positive Remote Sense
6	TRIM	Output voltage adjust
7	-S	Negative Remote Sense
8	-Vo	Negative Output

Notes: all dimensions in mm (inches)
 Tolerances: X.X±0.5mm (X.XX±0.02)
 X.XX±0.25mm (X.XXX±0.010)

DC/DC ZDQ400-28S12C

HESION | 禾信

Input 16V-40V, Output 12V/33.3A, Quarter Brick

Specification

Unless otherwise specified, all values are given at: 25°C, one standard atmosphere pressure, pure resistive load and basic connection.

Input	Symbol	Min	Typ	Max	Unit	Conditions	
Input Voltage	V_{in}	16	28	40	Vdc	—	
Input Current	I_{in}	—	—	30	A	$V_{in}=16Vdc, I_O=33.3A$	
Positive Logic Remote Control	OFF	—	0	—	1.2	V	Refer to $-V_{in}$
	ON	—	3.5	—	15	V	Refer to $-V_{in}$ Also turn on when CNT floating.
	Current	—	—	—	1.0	mA	—
Negative Logic Remote Control	OFF	—	3.5	—	15	V	Refer to $-V_{in}$ Also turn off when CNT floating
	ON	—	0	—	1.2	V	Refer to $-V_{in}$
	Current	—	—	—	1.0	mA	—
Start-up Delay Time	T_{delay}	—	20	—	ms	—	
Under Voltage Threshold	V_{UVLO}	13.0	—	16.0	Vdc	50% load test	
Under Voltage Protection Hysteresis	ΔV_{UVLO}	—	1	—	Vdc	—	

Output	Symbol	Min	Typ	Max	Unit	Conditions	
Output Voltage	V_O	11.88	12.00	12.12	Vdc	$V_{intyp}, I_{O,nom}$	
Output Current	$I_{O,nom}$	—	33.3	—	A	—	
Output Voltage Adjust Range	V_{trim}	10.8	—	13.2	Vdc	$I_O \leq 33.3A, P_O \leq 400W$	
Line Regulation	S_V	—	—	± 0.2	% V_O	$V_{in}: 16 \sim 40Vdc, I_O=33.3A$	
Load Regulation	S_I	—	—	± 0.5	% V_O	$V_{in}=V_{intyp}, I_O: 0A \sim 33.3A$	
Output Over Voltage Protection Set Point	$V_{ov,set}$	13.8	—	16.8	Vdc	$V_{in}=V_{intyp}$	
Output Over Current Protection Range	$I_{O,lim}$	36.6	—	46.6	A	$V_{in}=V_{intyp}$	
Output Short-circuit Protection	automatic recovery					$V_{in}=V_{intyp}$	
Peak to Peak Ripple and Noise	ΔV_{pp}	—	—	100	mV	$V_{in}=V_{intyp}, I_{O,nom}, 20MHz$ bandwidth, a 47 μF ceramic capacitor applied at output	
Rise Time	T_{rise}	—	10	—	ms	$V_{in}=V_{intyp}, I_{O,nom},$ pure resistive load	
Output Overshoot	V_{TO}	0	—	1.2	Vdc	$V_{in}=V_{intyp}, I_{O,nom},$ pure resistive load	
Capacitive Load	C_O	0	—	4700	μF	pure resistive load	
Remote Sense Compensation Range	V_{sense}	0	—	0.5	V	+S and -S twisted Pair, length is less than 20cm	
Load Transient	Voltage Deviation	ΔV_{tr}	—	—	± 600	mV	25%~50%~25% $I_{O,nom}$ or 50%~75%~50% $I_{O,nom}$; 0.1A/ μs
	Recovery Time	t_{tr}	—	—	400	μs	

DC/DC ZDQ400-28S12C

HESION | 永信

Input 16V-40V, Output 12V/33.3A, Quarter Brick

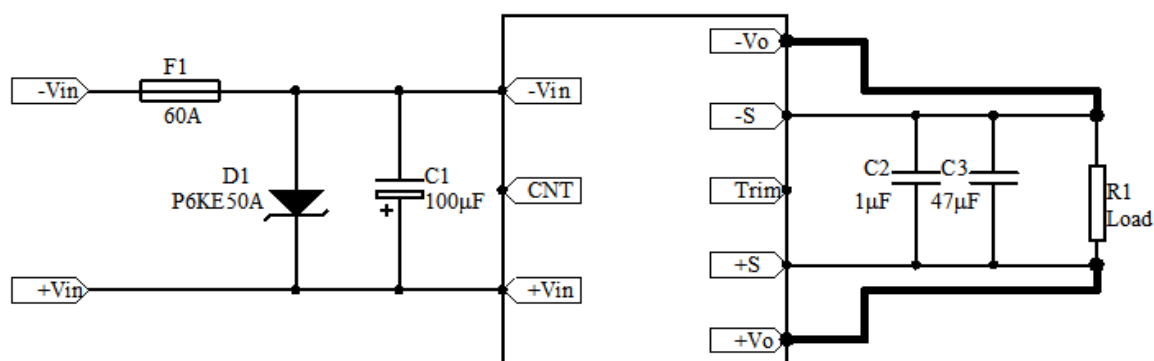
General	Symbol	Min	Typ	Max	Unit	Conditions
Efficiency	η	91	93	—	%	$V_{in}=V_{intyp}, I_{o,nom}$
Switching Frequency	f_s	—	150	—	kHz	—
Isolation Resistance	R_{iso}	100	—	—	M Ω	—
MTBF	—	—	2×10^6	—	h	BELLCORE TR-332

Continue

General	Symbol	Min	Typ	Max	Unit	Conditions
Isolation Voltage	V_{iso}	2250	—	—	Vdc	Input to output
		1050	—	—	Vdc	
		1050	—	—	Vdc	
Operating Case Temperature	—	-40	—	+105	$^{\circ}\text{C}$	—
Storage Temperature	—	-55	—	+125	$^{\circ}\text{C}$	—
Temperature Coefficient	S_T	—	—	± 0.02	%/ $^{\circ}\text{C}$	—
Relative Humidity	—	10	—	90	%	No condensing, $40^{\circ}\text{C} \pm 2^{\circ}\text{C}$
Over Temperature Protection Reference Point	T_{ref}	105	110	115	$^{\circ}\text{C}$	See Over Temperature Protection consideration
Over Temperature Protection Hysteresis	ΔT_{ref}	—	10	—	$^{\circ}\text{C}$	
Hand Soldering	Maximum soldering Temperature $< 425^{\circ}\text{C}$, and duration $< 5\text{s}$					

Design Considerations

Basic Connection



Notes: The basic connection indicates the basic requirements that the power module can provide rated output voltage and rated power only. Please refer the instruction followed for further information.

Input Voltage Range

The input voltage range of the DC/DC converter is 16V to 40V. The input impedance of the converter looks like a negative resistor, which can interact with the reactance of the power bus (including any filter elements that have been added to the input of the converter), causes an unstable condition. Depending on the internal transformer's impedance, the external impedance usually should not exceed the 10% of the internal. So, the source impedance of the Power bus should be kept as low as possible.

The method to determine whether the impedance of the power bus too high or not is to decrease the

DC/DC ZDQ400-28S12C

Input 16V-40V, Output 12V/33.3A, Quarter Brick

converter's input voltage from higher to lower gradually, if the output voltage decreases (unstable sometime) with the lower input voltage, it will be considered the impedance too large. For further confirmation, one electrolytic capacitor can be paralleled to the converter pins after the converter shuts down (one 1 μ F ceramic capacitor may be required to be paralleled with the electrolytic capacitor), if the output getting better, it will be sure that the impedance is too large.

Remote Control

Remote control can be offered by setting right control voltage level (or floating) to Cnt pin. ZDQ400-28S12C is provided with positive logic remote control. When the level is higher than 3.5V or be left floating, the converter will be turned on. When the level is less than 1.2V, the converter will be turned off. When low voltage level is applied, the output current of the Cnt is less than 1mA. When high voltage level (3.5V~15V) is applied, the input current of the Cnt is less than 1mA.

Due to the logic comparator is semiconductor integrated chip, they have low endurance to surge. Care should be taken to prevent Cnt from surge, A TVS should be used in some cases.

ZDQ400-28S12NC is provided with negative logic remote control. It has the same characteristic as ZDQ400-28S12C, except control logic. When the level is higher than 3.5V or be left floating, the converter will be turned off. When the level is less than 1.2V, the converter will be turned on. Like positive logic control converters, care should be taken to prevent Cnt from surge.

In some applications, extra controls will be designed for the converter in user's PCB, such as output short circuit protection, over voltage protection, under voltage protection, and so on, remote control will give you help. The controls can be achieved by external circuit applied to the Cnt pin.

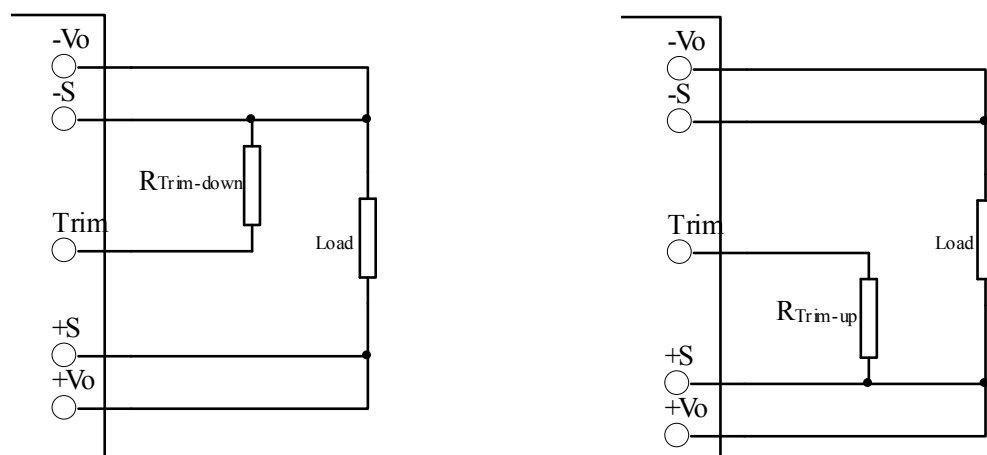
In some applications it is necessary to have a precise turn on and turn off level, or the level which can be received has a very narrow range, the aux. circuit will be required. Please contact us for more information.

External Capacitance

Unless special purpose (i.e. prolonging hold-up time, input impedance matching), the recommended input filter's capacitance ranges 100 μ F-220 μ F, which not only offers a stable system, and reduces the cost, but also lessens the inrush current when the power supplies.

When larger capacitance is required, a circuit of suppressing the inrush current is recommended when the regulator start-up and a discharge circuit is recommended when the output dropped, ensuring the reliability and safety of other equipments in the system.

Output Voltage Adjust



Input 16V-40V, Output 12V/33.3A, Quarter Brick

Connection for Trimming Down

Connection of Trimming Up

The converters have an Output Voltage adjust pin (Trim). This pin can be used to adjust the output voltage above or below Output voltage initial setting. When increasing the output voltage, the voltage at the output pins (including any remote sense offset) must be kept below the maximum output adjust range, or the characteristics will not be assured in compliant with the specification, even the over voltage protection may be triggered. Also note that at increased output voltages the maximum power rating of the converter 400W remains the same, and the output current capability will decrease correspondingly, at decrease output voltages the maximum current should not exceed 33.3A. When the trim pins are not used, they should be floated External circuit is connected as the figure shown, the resistance is calculated as the formula below,

please note that the formula will be invalid when $R_{Trim-up}$ 、 $R_{Trim-down}$ are used simultaneously, users adjust the value based on the resistance applied,

$$\text{Resistance for trimming up : } R_{Trim-up} = \left(\frac{5.11 \times V_o(100(\%) + \Delta(\%))}{1.24 \times \Delta(\%)} - \frac{5.11 \times 100(\%)}{\Delta(\%)} - 10.22 \right) (k\Omega)$$

$$\text{Resistance for trimming down: } R_{Trim-down} = \left(\frac{5.11 \times 100(\%)}{\Delta(\%)} - 10.22 \right) (k\Omega)$$

V_o : rated output voltage, 12V;

$R_{Trim-up}$ 、 $R_{Trim-down}$: Resistance for trimming up or down, $k\Omega$;

Δ (%) : Change rate, divide output voltage by rated output voltage

For example, trimmed down voltage to 11.4V V, then Δ (%) = $\left[(12-11.4) / 12 \right] \times 100\% = 5\%$;
 $R_{Trim-down} = 5.11 \times 100\% / 5\% - 10.22 = 91.98 (k\Omega)$ 。

Remote Sense

The remote sense can be used to compensate for the voltage drop between the output pins of the converter and the load input pins by +S、-S pins. The +S and -S pins should be connected to the input pins of the load respectively. The remote sense circuit will compensate for up to 0.5V between the sense voltage and the voltage at the output pins. If the remote sense is not needed, the -S should be connected to -Vout and +S should be connected to +Vout.

The anti-interference design should be considered when the +S、-S pins are connected to the pins to be compensated. The +S、-S traces should be located close to a ground trace or ground plane, and the area they surrounded should be minimized (just for electrical isolation); If cable connection presents, twisted pair wires should be used, EMI core are equipped with the twisted pair wires to reduce common mode noise when necessary, the sense leads should not be longer than 200mm, or the system characteristics may not be assured.

The sense leads only can carry very little current, and are not used for converter power output. Care should be taken in operation to avoid damaging the converter.

Over Temperature Protection

The converters provides over temperature protection function. When the case temperature exceeds the temperature trig point (110 °C) , the OTP circuit will cut down output power. The converter will stop until safe operating temperature is restored. Hysteresis temperature between OTP trig point and restart is approx 10°C. Time between OTP and restart is dependent on cooling of DC/DC converter.

Input 16V-40V, Output 12V/33.3A, Quarter Brick

Thermal Consideration

The converters operate in a variety of thermal environments; however, sufficient cooling should be provided to ensure reliable operation of the unit. Heat is removed by conduction, convection and radiation to the surrounding environment. For the specified ambient temperature, user can increase airflow and change the size of heatsink to improve the heat dissipating for the module with baseplate; user can only increase airflow to improve the heat dissipating for the models without heat sink. Note that the natural convection condition means that airflow is 0.1m/s.

Output Over Voltage Protection

The converter is designed with clamped over voltage protection, when output voltage exceeds 115% to 140% of the rated output voltage (the set point is between 115% to 140%, there is the difference based on the specific parameters, but not beyond the range), the output voltage will be clamped. Be advised that to shut down the converter by using remote control if it can not be repaired timely. Avoid the continuous resetting of the unit because that will damage the converter.

Safety Consideration

The converter, as a component for the end user, should be installed into the equipment, and all the safety considerations are achieved under certain condition. It is required to meet safety requirements in system design. The converter output is considered SELV, and the expected input is considered TNV2, the primary to secondary is basic insulation to EN60950. The maximum operating temperature for PCB is 170 °C.

To avoid fire and be protected when short circuit occurred, it is recommended that a fast blow fuse with rating 2.5 to 3 times of converter's continuous input peak current is used at the input terminal.

Series and Parallel Operation

The converters should not be paralleled directly to increase power, but they can be paralleled each other through o-ring switches or diodes. Make sure that every converter's maximum load current should not exceed the rated current at anytime if they are paralleled without using external current sharing circuits. For the case that there is no external current sharing circuit, but power needs to be increased, please use Trim pin to adjust each converter's output voltage, to load the current as equal as possible in operating (When the load changes in a wide range, the method will not work).

The converters can operate in series. To prevent against start-up failure due to start up time difference, SBD with low voltage difference can be paralleled at the output pins(SBD negative terminal connect to the positive pin of the output) for each converter.

ESD Control

The converters are processed and manufactured in an ESD controlled environment and supplied in conductive packaging to prevent ESD damage from occurring before or during shipping. It is essential that they are unpacked and handled using an ESD control procedures. Failure to do so affects the lifetime of the converter.

Quality Statement

The converters are manufactured in accordance with ISO 9001 system requirements, and are monitored 100% by auto-testing system, 100% burn in.

The warranty for the converters is 5-year.

DC/DC ZDQ400-28S12C

HESION | 禾信

Input 16V-40V, Output 12V/33.3A, Quarter Brick

Contact Information

Anhui Hesion Trading Co., Ltd.

& Beijing Wienpower Technology Co., Ltd.

TEL: +86-551-65369069, 65369067

Email: alecz@ahhesion.com

Backup: alecz@126.com

www.ahhesionpower.com