

# WHD100-24S12 DC-DC Converter

## Input 9V-36V, Output 12V/8.33A, Half-Brick Series

### Contents

Features..... 1

Outline Diagram .....2

Specifications.....2

Characteristic Curves.....4

Design Considerations.....5

    Basic Connection.....5

    Recommended Layout ..... 6

    Remote Control..... 6

    Output Voltage Adjust..... 7

    Input Voltage Range..... 7

    Remote Sense..... 8

    Over Temperature Protection(OTP)..... 8

    Output Over Voltage Protection(OVP) ..... 8

    Safety Consideration..... 8

    Series and Parallel Operation..... 8

    Cleaning Notice ..... 9

    Delivery Package Information ..... 9

Quality Statement ..... 9

Contact Information..... 9



### Features

- ◆ Half-Brick (61.0mm×57.9mm×12.7mm)
- ◆ CE Certificate , RoHS compliant
- ◆ Positive Logic Control (3.5V to 15V turn on)
- ◆ Output Current Limit Protection(OCP)
- ◆ Output Over Voltage Protection (OVP)
- ◆ Output Voltage Adjust Range:±10 % of the rated output voltage
- ◆ Over Temperature Protection (OTP)
- ◆ Output Short-circuit Protection, hiccup, auto-recovery
- ◆ High efficiency, 87%typ(input:24V I<sub>O,max</sub>)
- ◆ 1500Vdc Isolation Voltage(Input to output)
- ◆ Baseplate Temperature :-40°C to 100°C
- ◆ 5-years warranty.
- ◆ Applications: Telecom/ datacom system equipments, Railway & Rail transit ,Industrial control equipments and Instrument

### Ordering Information

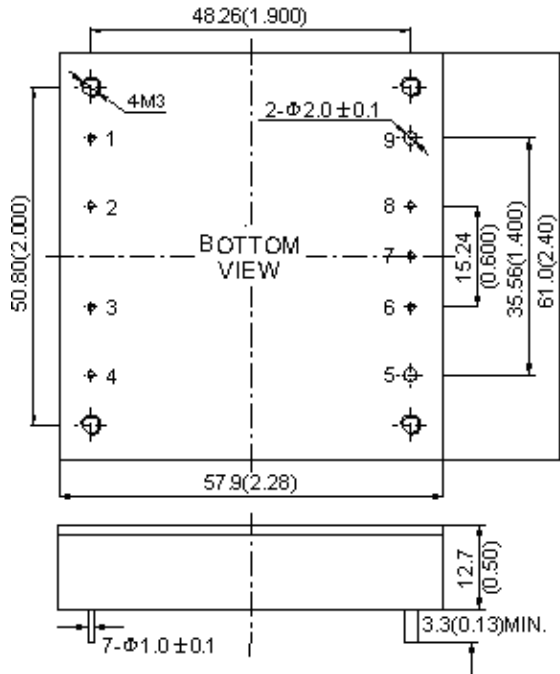
See Contents for individual product ordering numbers.

Suffix	Meaning	Ordering Model
--	Basic Model	WHD100-24S12
P	Negative Logic Control. Turn off when CNT pin is applied to 3.5~15V voltage or kept floating; Turn on when CNT pin is applied to 0~1.5V voltage	WHD100-24S12 P

**WHD100-24S12 DC-DC Converter**

**Input 9V-36V, Output 12V/8.33A, Half-Brick Series**

**Outline Diagram**



Pin	Symbol	Function
1	-Vin	Negative Input
2	CASE	Connect to the baseplate
3	CNT	Remote Control Pin
4	+Vin	Positive Input
5	+Vo	Positive output
6	+S	Positive Remote Sense
7	TRIM	Output voltage adjust
8	-S	Negative Remote Sense
9	-Vo	Negative Output

Case material: Black flame retardant Plastic; Pins: copper with gold plating  
 Aluminum baseplate can be connected to Protective Earth pin by M3 screw.

Notes:all dimensions in mm(inches)

Tolerances:X.X±0.5mm(X.XX±0.02)

X.XX±0.25mm(X.XXX±0.010)

**Specifications**

Unless otherwise specified, all values are given at: 25°C, one standard atmosphere pressure, pure resistive load and basic connection.

Input	Symbol	Min	Typ	Max	Unit	Conditions
Input Voltage	$V_{in}$	9	24	36	V	—
Start-up Delay Time	$T_{delay}$	—	5	—	ms	$V_{in}:24V, I_{O,max}$
Maximum Input Current	$I_{in,max}$	—	—	14.5	A	—
Positive Logic Remote Control	ON	—	3.5	—	V	Refer to -Vin Also turn on when CNT floating.
	OFF	—	0	—	V	
	Current	—	—	—	1	mA

**WHD100-24S12 DC-DC Converter**
**Input 9V-36V, Output 12V/8.33A, Half-Brick Series**

Continue

Output		Symbol	Min	Typ	Max	Unit	Conditions
Output Power		$P_o$	0	–	100	W	—
Output Voltage		$V_o$	11.88	12.00	12.12	V	—
Output Current		$I_o$	–	–	8.33	A	—
Current Limit Inception		$I_{o,lim}$	9.16	—	16.66	A	$V_{in}:24V$
Output Voltage Adjust Range		$V_{trim}$	–	–	$\pm 10$	% $V_o$	$I_o \leq 8.33A$ $P_o \leq 100W$
Line Regulation		$S_V$	–	–	$\pm 0.2$	% $V_o$	$V_{in}:9V \sim 36V, I_{O,max}$
Load Regulation		$S_I$	–	–	$\pm 0.5$	% $V_o$	$V_{in}:24V, I_o=0.833A \sim 8.33A$
Peak to Peak Ripple and Noise		$\Delta V_{pp}$	–	–	100	mV	20MHz bandwidth, Output equipped 10 $\mu$ F tantalum capacitor and 1 $\mu$ F ceramic capacitor
Load Transient	Recovery Time	$t_{tr}$	–	–	200	$\mu$ s	Load change:25% ~ 50% ~ 25% & 50% ~ 75% ~ 50% Current change: 0.1A/ $\mu$ s
	Voltage Deviation	$\Delta V_{tr}$	–	–	$\pm 360$	mV	
Capacitive Load Range		$C_o$	0	–	4700	$\mu$ F	$V_{in}:24V, I_{O,max}$ Pure resistive load
Rise Time		$T_{rise}$	–	50	–	ms	$I_{O,max}$ , Pure resistive load
Output Overshoot		$V_{TO}$	–	–	10	% $V_o$	$V_{in}:24V, I_{O,max}$ Pure resistive load
OVP Set Point		$V_{ov,set}$	14.4	–	18.0	V	$P_o \leq 100W$
OTP Set Point		$T_{ref}$	115	120	125	$^{\circ}C$	Auto-recovery
Output Short-circuit Protection		Hiccup mode, automatic recovery					

General	Symbol	Min	Typ	Max	Unit	Conditions
Efficiency	$\eta$	85	87	–	%	$V_{in}:24V, I_{O,max}$
Switching Frequency	$f_s$	–	280	–	kHz	—
Isolation Resistance	$R_{iso}$	50	–	–	M $\Omega$	—
Isolation Voltage	$V_{iso}$	1500	–	–	Vdc	Input to output Leak Current: 1mA
		1050	–	–	Vdc	Input to case Leak Current: 1mA
		500	–	–	Vdc	Output to case Leak Current: 1mA
Operating Baseplate Temperature	–	-40	–	100	$^{\circ}C$	—
Storage Temperature	–	-55	–	105	$^{\circ}C$	—
Temperature Coefficient	$S_T$	–	–	$\pm 0.02$	%/ $^{\circ}C$	—

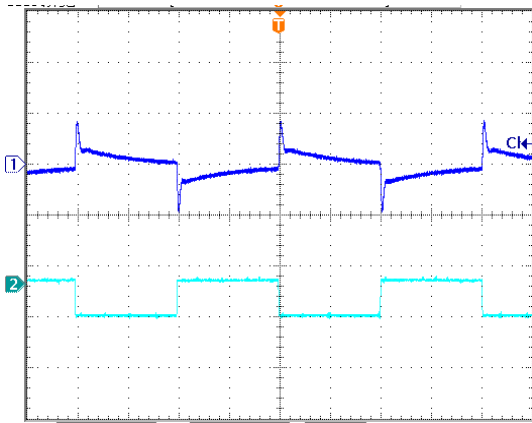
**WHD100-24S12 DC-DC Converter**

**Input 9V-36V, Output 12V/8.33A, Half-Brick Series**

Continue						
General	Symbol	Min	Typ	Max	Unit	Conditions
MTBF	-	-	$1.5 \times 10^6$	-	h	BELLCORE TR-332
Hand Soldering	Maximum soldering Temperature < 425°C, and duration < 5s					
Wave Soldering	Maximum soldering Temperature < 255°C, and duration < 10s					
Weight	-	-	70	-	g	-

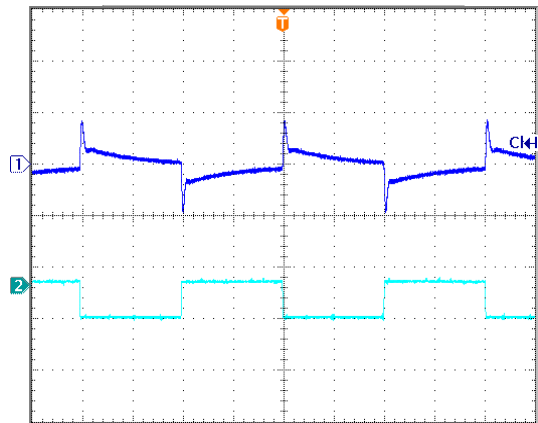
**Characteristic Curves**

**Load Transient Response**



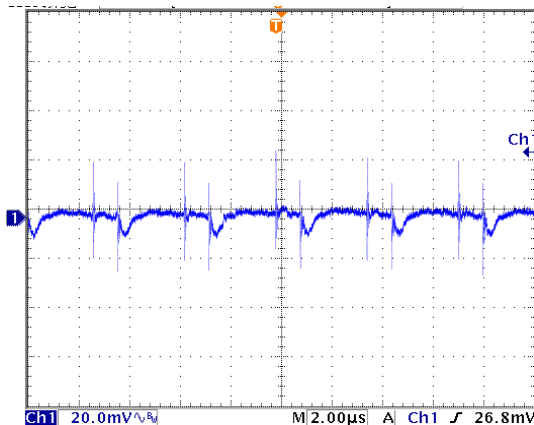
Load change: 25% ~ 50%  
 ~ 25%  $I_{o,max}$ , 0.1A/ $\mu$ s  
 $V_{in}$ =24V  
 Trace1: 500mV/div  
 Trace2: 2.5A/div  
 Time scale: 2ms/div

**Load Transient Response**



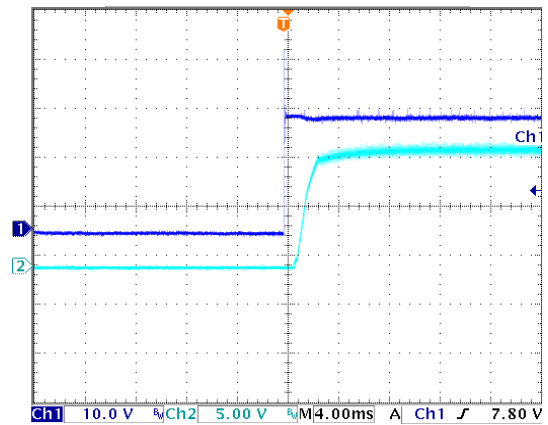
Load change: 50 ~ 75%  
 ~ 50%  $I_{o,max}$ , 0.1A/ $\mu$ s  
 $V_{in}$ =24V  
 Trace1: 500mV/div  
 Trace2: 2.5A/div  
 Time scale: 2ms/div

**Output Ripple and noise**



$V_{in}$ =24V,  $I_o$ =8.33A

**Start-up Delay Time**

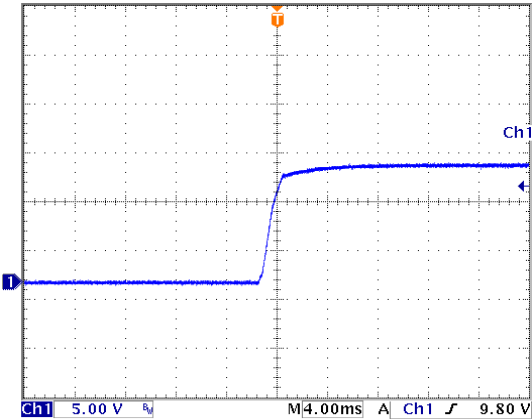


$V_{in}$ =24V,  $I_o$ =8.33A

**WHD100-24S12 DC-DC Converter**

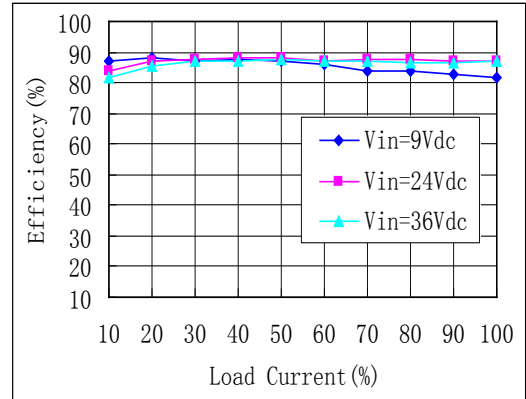
**Input 9V-36V, Output 12V/8.33A, Half-Brick Series**

**Rise Time**

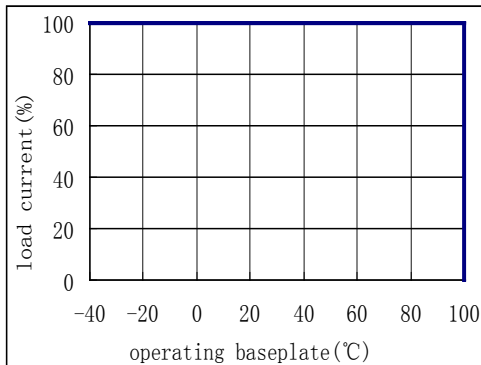


Vin=24V,Io=8.33A

**Efficiency vs. Io & Vin**

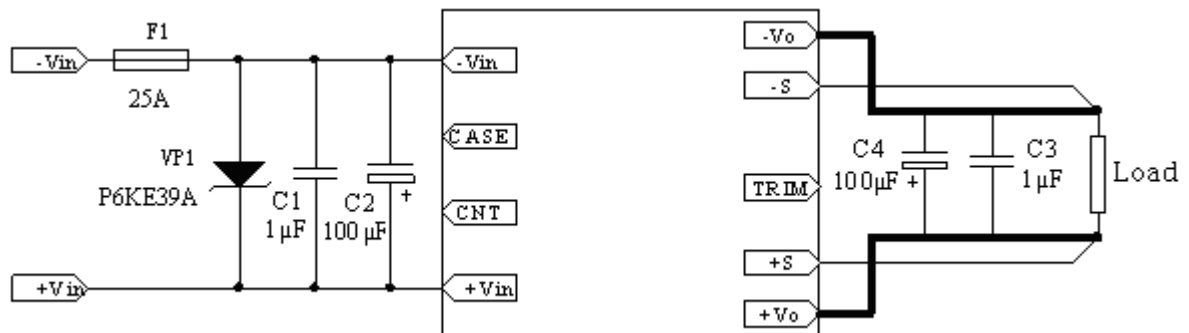


**Derating**



**Design Considerations**

**Basic Connection**

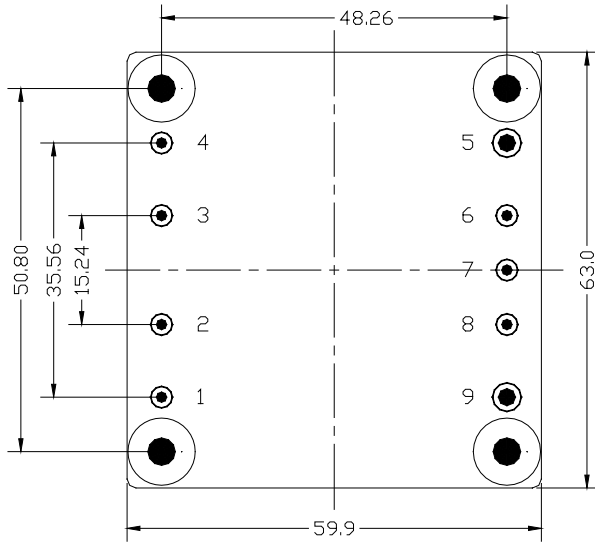


Notes: The basic connection indicates the basic requirements. Please refer to the instruction followed for further information.

**WHD100-24S12 DC-DC Converter**

**Input 9V-36V, Output 12V/8.33A, Half-Brick Series**

**Recommended Layout**

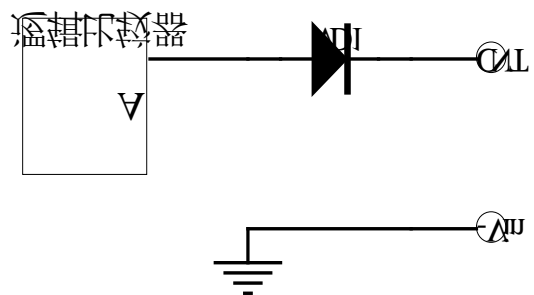


NO.	Recommendation & Notes
Pad Design	1-4、6-8 Pad holes: 1.5mm, pad diameter including hole:2.5mm; 5、9 Pad holes: 2.5mm,pad diameter including hole:4.50mm; the fixed holes at the four corners are metallized, with diameter of 3.3mm and pad diameter including hole: 5.3mm-6.3mm.
Airflow Direction	The air should flow along the direction of the heat sink
Safety	Isolated Converters,care to the spacing between input and output, input and protective ground、output and protective ground.
Electrical	The Vin(-) and Vo(-) planes should be placed under of the converter separately. Avoid routing sensitive signal or high disturbance AC signal under the converter.

**Remote Control**

Remote control can be offered by setting right control voltage level ( refer to -Vin pin)to CNT pin.

Positive Logic Control: When the level is higher than 3.5V or be left floating,the converter will be on. When the level is less than 1.5V,the converter will be off. The circuit diagram is shown as “ internal circuit diagram for positive logic control”; when low level applied, the CNT source current is less than 1Ma, due to VD1 is signal diode, and the logic comparator is semiconductor integrated chip with low resistance to surge. Care should be taken to prevent CNT from surge, A TVS should be used in some cases.



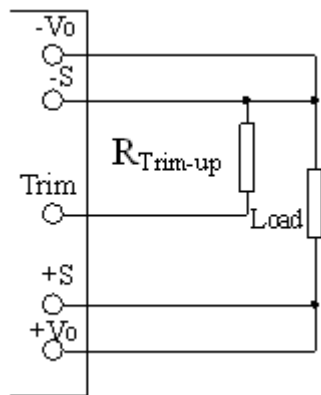
**Internal circuit diagram for positive logic control**

## WHD100-24S12 DC-DC Converter

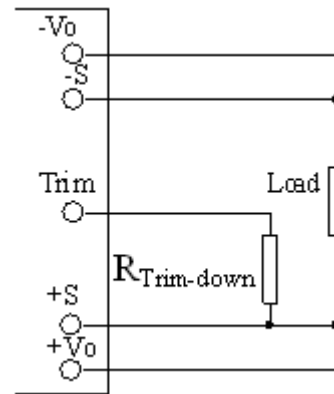
### Input 9V-36V, Output 12V/8.33A, Half-Brick Series

#### Output Voltage Adjust

The converters have an Output Voltage adjust pin (Trim). This pin can be used to adjust the output voltage above or below Output voltage initial setting. When increasing the output voltage, the voltage at the output pins (including any remote sense offset) must be kept below the maximum output adjust range, or the characteristics will not be assured in compliant with the specification, even the over voltage protection may be triggered. Also note that at increased output voltages the maximum power rating of the converter 100W remains the same, and the output current capability will decrease correspondingly, at decrease output voltages the maximum current should not exceed 8.33A. When the trim pins are not used, they should be floated.



Connection for Trimming Up



Connection of Trimming Down

External circuit is connected as the figure shown, the resistance is calculated as the formula below, please note that the formula will be invalid when  $R_{Trim-up}$ 、 $R_{Trim-down}$  are used simultaneously, users adjust the value based on the resistance applied.

$$\text{Resistance for trimming up : } R_{Trim-up} = \left( \frac{23.83}{\Delta V} - 15 \right) (k\Omega)$$

$$\text{Resistance for trimming down: } R_{Trim-down} = \left( \frac{(V_o - \Delta V - 2.5) \times 9.53}{\Delta V} - 15 \right) (k\Omega)$$

$V_o$ : rated The output voltage you need, V;

$R_{Trim-up}$ 、 $R_{Trim-down}$  : Resistance for trimming up or down, k $\Omega$ ;

#### Input Voltage Range

The input voltage range of the DC/DC converter is 9V~36V. The input impedance of the converter looks like a negative resistor, which can interact with the reactance of the power bus (including any filter elements that have been added to the input of the converter), causes an unstable condition. Depending on the internal transformer's impedance, the external impedance usually should not exceed the 10% of the internal.

## WHD100-24S12 DC-DC Converter

### Input 9V-36V, Output 12V/8.33A, Half-Brick Series

---

#### Remote Sense

The remote sense can be used to compensate for the voltage drop between the output pins of the converter and the load input pins by +S、-S pins. The +S and -S pins should be connected to the input pins of the load respectively. The remote sense circuit will compensate for up to 0.5V drop between the sense voltage and the voltage at the output pins. If the remote sense is not needed, the -S should be connected to -Vo and +S should be connected to +Vo.

The anti-interference design should be considered when the +S、-S pins are connected to the pins to be compensated. The +S、-S traces should be located close to a ground trace or ground plane, and the area they surrounded should be minimized (just for electrical isolation); If cable connection presents, twisted pair wires should be used, EMI core are equipped with the twisted pair wires to reduce common mode noise when necessary, the sense leads should not be longer than 200mm, or the system characteristics may not be assured.

The sense leads only can carry very little current, and are not used for converter power output. Care should be taken in operation to avoid damaging the converter.

#### Over Temperature Protection(OTP)

The regulators are protected from thermal overload by an internal over temperature shutdown circuit. When the baseplate temperature exceeds the temperature trig point, the OTP circuit will cut down output power. The regulator will stop until safe operating temperature is restored. Hysteresis temperature between OTP trig point and restart is approx 10°C. Time between OTP and restart is dependent on cooling of the regulator.

#### Output Over Voltage Protection(OVP)

The clamp type over voltage protection feature is used to protect the converter, when output voltage exceeds 120% to 140% of the rated output voltage ( the set point is between 115%-140%, there is the difference based on the specific parameters, but not beyond the range), the output voltage will clamped.

#### Safety Consideration

The converter, as one component for the end user, should be installed into the equipment, and all the safety considerations are achieved under certain condition. It is required to meet safety requirements in system design for the user. The converter input is considered TNV2, the primary to secondary is basic insulation to EN60950. The maximum operating temperature for PCB is 130 °C.

To avoid fire and be protected when short circuit occurred, it is recommended that a fast blow fuse with rating 2 -3 times of converter continuous input peak current is used in series at the input terminal. (Inrush current suppression circuit is required for greater filter capacitance at input terminal, or it will result in the misoperation of the fuse).

#### Series and Parallel Operation

The converters should not be paralleled directly to increase power, but they can be paralleled each other through o-ring switches or diodes. Make sure that every converter's maximum load current should not exceed the rated current at anytime, if they are paralleled without using external current sharing circuits. The converters can operate in series. To prevent against start-up failure due to start up time difference,



## WHD100-24S12 DC-DC Converter

### Input 9V-36V, Output 12V/8.33A, Half-Brick Series

---

SBD with low voltage difference can be paralleled at the output pins(SBD negative terminal connect to the positive pin of the output) for each converter.

#### **Cleaning Notice**

The converter is suitable for water washing, because it does not have any pockets where water could be trapped long-term. Users should ensure that the drying process is adequate and of sufficient duration to remove all water from the converter after washing, do not power up the unit until it is completely dry.

#### **Delivery Package Information**

Package material is multiple wall corrugated , internal material is anti-static foam, it's surface resistance is from  $10^5 \Omega$  to  $10^{12} \Omega$  . Tray capacity: 2×6=12 PCS/box , Tray weight: 0.94kg ; Carton capacity:15×12=180 PCS, Carton weight:14.6kg.

#### **Quality Statement**

The converters are manufactured in accordance with ISO-9001 system requirements, in compliant with YD/T1376-2005, and are monitored 100% by auto-testing system, 100% burn in.

The warranty for the converters is 5-year.

#### **Contact Information**

*Anhui Hesion Trading Co.,Ltd.*

*Beijing Yihongtai Technology Dev.Co.,Ltd*

**TEL: +86-551-65369069,65369067**

**FAX:+86-551-65369070**

**Email: [alecz@ahhesion.com](mailto:alecz@ahhesion.com)**

**Backup:[alecz@126.com](mailto:alecz@126.com)**